

Saflok RFID Locking Solutions



MT™ RFID



RT™ RFID



Quantum™ RFID



QuantumII™ RFID



QuantumIII™ RFID

Overview

The MT and RT RFID locks are full-body electronic locks that offer RFID card reader technology to enhance convenience and improve operational efficiency. Both locks are also ideal for retrofits.

The Quantum Series offers a unique and award winning two-piece modular design RFID card reader for a sleek look and superior lock performance.

All locks are easy to use and work with the Windows®-based System 6000™, Messenger LENS™ online wireless system, and DeskLine™ front desk system. In addition, MT, RT and Quantum Series locks are able to operate using Kaba Mobile Access Solutions as either Bluetooth Low Energy (BLE) ready or enabled.

Applications

- Suitable for small to very large properties
- Easily replaces existing mechanical or electronic door locks throughout a facility
- Access control for room units, common areas as well as back-of-house access points


Security Features

- High security and tamper-proof design
- 1" solid deadbolt (optional auto deadbolt)
- Staff monitoring – Keycard audits (RFID and smartcard)
- Tracking mortise for door ajar reporting – 2000 standard; MT optional
- Emergency access: emergency key, mechanical key (QuantumII and QuantumIII) and electronic override

Low Maintenance

- Batteries last up to two years
- Low battery indicator alerts staff
- Lock programming and audit records are not erased during battery replacement
- Operates with a completely sealed contactless reader

Mechanical Features – MT and Quantum Locks

Description	Electronic mortise lockset with 1" (25.4mm) throw deadbolt and 5/8" (15.9mm) dead-locking latch bolt	
Handing	Factory-handed mortise (left, right, left reverse, right reverse)	
Lever	<p>ADA compliant</p> 	
Deadbolt	1" (25.4mm) throw deadbolt and 5/8" (15.9mm) dead-locking latch bolt	
Door Thickness	1 3/4" (44.5mm) to 2 1/8" (53.98mm) for standard product	
Weight	Approximately 8.0 lbs. with hardware	
Housing Construction	Escutcheons: Zinc Levers: Brass, Zinc, or Stainless Steel	
Standard Finishes	Bright Chrome, Bright Brass, Satin Chrome, Satin Brass, Dark Mahogany, Black, Satin Nickel	
Inside Trim Options	Optional adøse or MT inside escutcheon	
Toggle Option	Available on Quantum Series only. The lock remains in residence mode (unlocked) until it is secured by rotating the thumbturn in the inside trim or until the resident presents the credential to the reader when leaving the unit.	
Standard Backset	2 3/4" (69.9mm)	
Locking Options	ANSI lock case with 1 1/2" or 1" lock front mortise Options: automatic deadbolt, door ajar, MKO	
Online Configurations	Messenger Ready	DAJ mortise (ANSI lock case) Standard (stand alone) inside escutcheon
	Messenger Online	Lock controller board with Messenger capability DAJ mortise (ANSI lock case) Inside escutcheon equipped with Messenger module
Mobile Key Options	<p>BLE Compatible – Standard lock, upgradeable to BLE by adding BLE connector cable, end cap, and BLE module</p> <p>BLE Ready – Upgradeable to BLE with the installation of the BLE module</p> <p>BLE Enabled – End cap with BLE module included, no further upgrades necessary</p>	

Mechanical Features – RT Locks

Description	Heavy duty electronic lockset (mortise or cylindrical) with clutch mechanism and built-in contactless RFID reader	
Handing	Left or right factory handed mortise, field reversible handing (lever and mortise)	
Lever	<p>ADA compliant, outside lever free to rotate upward and downward in locked mode Lever clearance (space from end of lever to door)</p> <p>Long Lever 3/8" (9.5mm) Short Lever 2" (51mm) Elevon & Gala Levers 2 1/2" (58mm)</p>	
Concealed Key Override (optional)	Saflok KIK Core (keyed-alike, master keyed, recodable) Best Small IC Adaptor	
Deadbolt	1" (25 mm) (for ASM mortise) solid metal, projected by inside thumbturn and retracted with the latch by the interior handle, emergency override or specific staff keycards. Optional auto deadbolt available.	
Door Thickness	From 1 3/8" to 2 1/2" (35mm to 66mm)	
Weight	8.5 lbs. (3.8 kg)	
Housing Construction	Cast zinc alloy (outside housing levers and thumbturn), stainless steel inside housing	
Standard Finishes	Satin Chrome, Satin Brass	
Optional Finishes	Bright Chrome, Bright Brass, Ultra Satin Chrome, Oil-rubbed Bronze (simulated), Satin Nickel, Satin Chrome Supreme	
Standard Backset	2 3/4" (70mm) backset, 2 3/8" (60mm) backset also available for cylindrical lock	
Locking Options	ANSI lock case with 1 1/2" or 1" lock front mortise Optional automatic deadbolt	
Toggle Option	The lock remains in residence mode (unlocked) until it is secured by rotating the thumbturn in the inside trim or until the resident presents the credential to the reader when leaving the unit.	
Online Configurations	Messenger Ready	DAJ mortise (ANSI lock case) Standard inside escutcheon
	Messenger Online	Lock controller board with Messenger capability DAJ mortise (ANSI lock case) Inside escutcheon equipped with Messenger module
Mobile Key Options	<p>BLE Ready – Upgradeable to BLE with the installation of the BLE module</p> <p>BLE Enabled – End cap with BLE module included, no further upgrades necessary</p>	

Batteries

MT RFID	Alkaline	Battery life is up to two years
Quantum RFID	Four AA battery pack	Low battery indicator: alerts staff that batteries need to be changed soon
RT RFID	Alkaline	Battery life is up to three years
	Three AA battery pack	Low battery indicator: alerts staff that batteries need to be changed soon

Lock Operation

ALL	Date/Time Stamp	Real-time; date and hours/minutes
MT RFID Quantum RFID	Interrogation	Obtain key usage reports from the lock by using a handheld unit at the door, or increase efficiency by performing a remote Interrogation using Messenger (optional)
RT RFID	Interrogation	Use handheld unit at door or remotely through Messenger wireless system to obtain key use history reports from the lock
ALL	Passage Mode	Set by authorized keycard or Messenger system. Can also be configured to perform an automated/pre-defined passage mode time.
ALL	Lockout Mode	Set by authorized keycard or Messenger system
ALL	Keycards Accepted	Smartcard or MIFARE® Classic, MIFARE Plus, and MIFARE Ultralight
ALL	Feedback	Light indicators in reader
ALL	Diagnostics	Light indicators and handheld display
ALL	Audit Trail	Up to 4,000 events (all key transactions, including date, time and user ID— if recorded when key is made)
ALL	Disability Feature	RCU readers interface with automatic power operated doors for special openings
ALL	Privacy Override	Emergency keycards

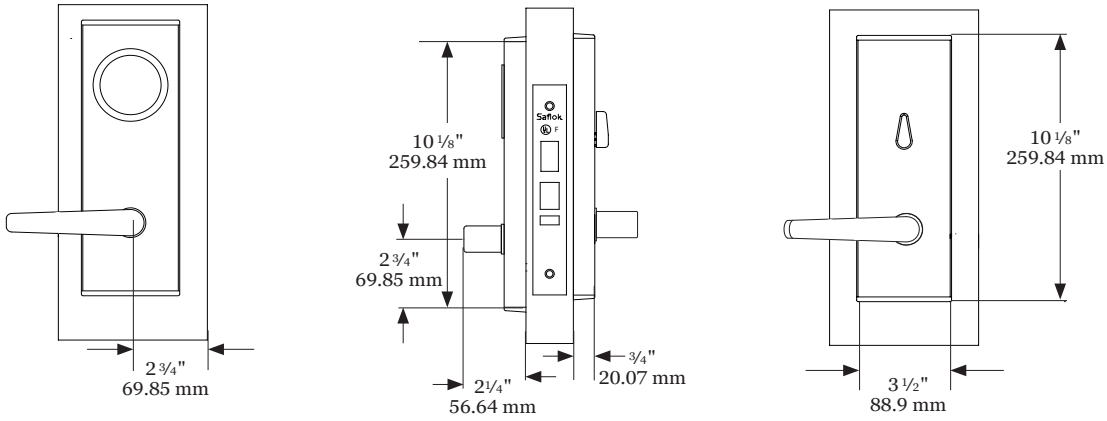
Certifications and Testing

ALL	Accessibility Standard	ADA compliant levers (Code of Federal Regulations 28 CFR Part 36 – 1994 “ADA Standards for Accessible Design”)
ALL	BHMA/ANSI	Certified to be compliant with Grade One performance tests for “ANSI/ BHMA A156.13-2005 Standard for Mortise Locks and Latches,” and “ANSI/ BHMA A156.25-2007 Standard for Electrified Locking Devices.” (Only locks tested and approved by non-biased third-party test lab are allowed in the “BHMA Certified Products Directory” found at www.buildershardware.com)
ALL	Fire Rating	Listed for pre-prepared manufactured doors and certified for retrofitting on existing doors by Underwriters Laboratories for use on fire doors having up to a three-hour rating. a. U.L. Certification: GWVW.R12071 “Accessories for Single-point Locks and Latches and Fire Exit Hardware.” Evaluated in accordance with UL 10B and UL 10C. b. U.L. Listing: GYQS.R11247 “Electrically Controlled Single-point Locks and Latches.” Evaluated in accordance with UL 10B and UL 10C. c. Also classified in accordance with Uniform Building Code Standard 7-2, “Fire Test of Door Assemblies” (1997)
ALL	Electronics	FCC Part 15 Class A and CE directive 89/336/EEC compliant
ALL	Environmental Operating Conditions	Indoor side: 32°F to 151°F (0°C to 66°C) Outdoor side: -31°F to 151°F (-35°C to 66°C) 0% to 85% non-condensing humidity at 86°F (30°C)

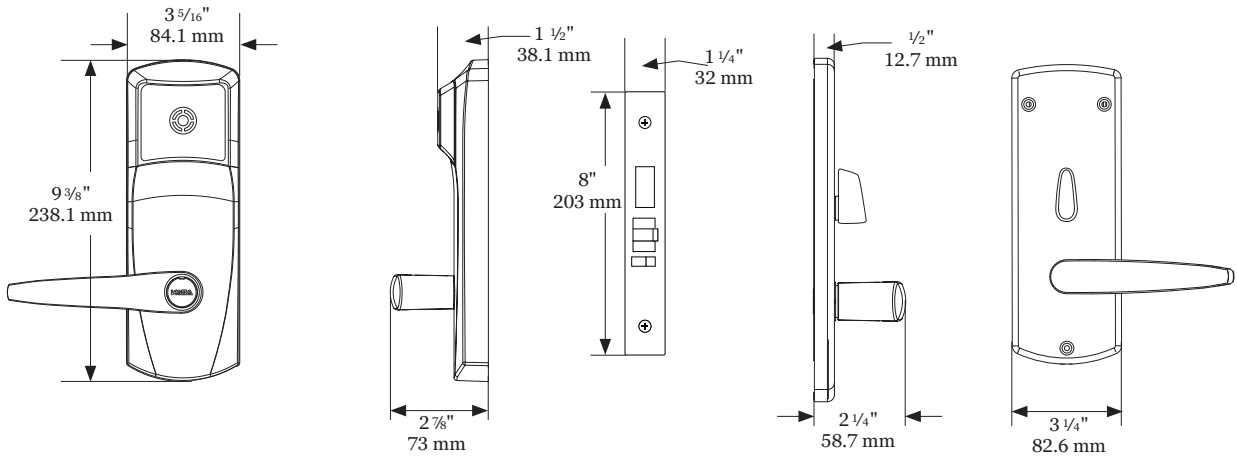
Warranty

ALL	Standard Factory	Two years
ALL	Extended	Kaba Service Plans (Platinum, Gold, Silver)

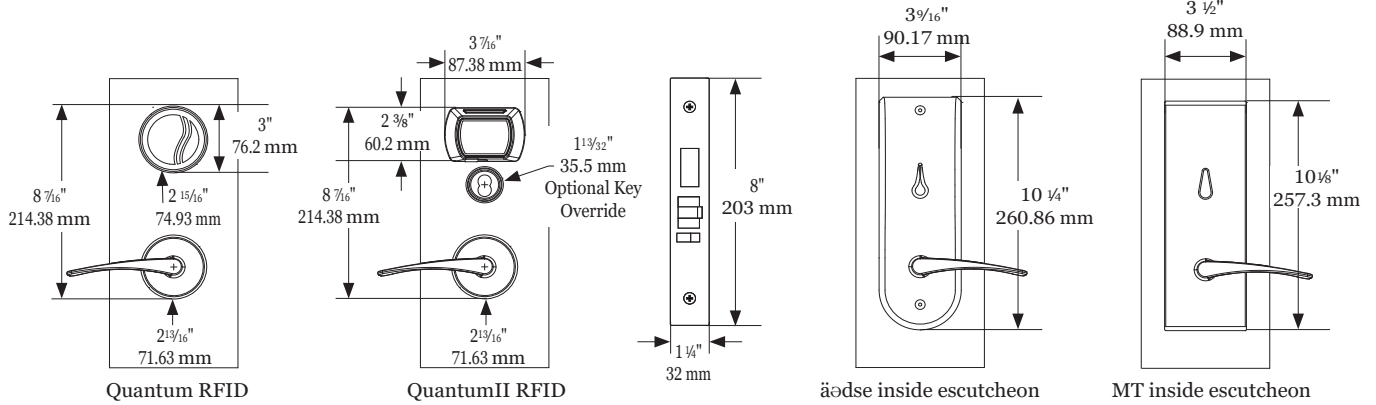
MT RFID



RT RFID



Quantum RFID / QuantumII RFID



QuantumIII RFID

